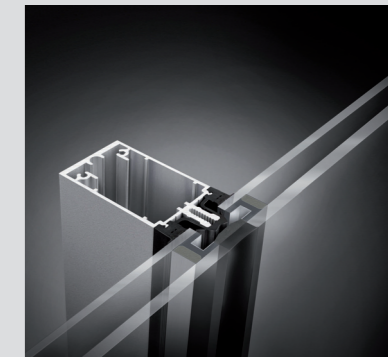




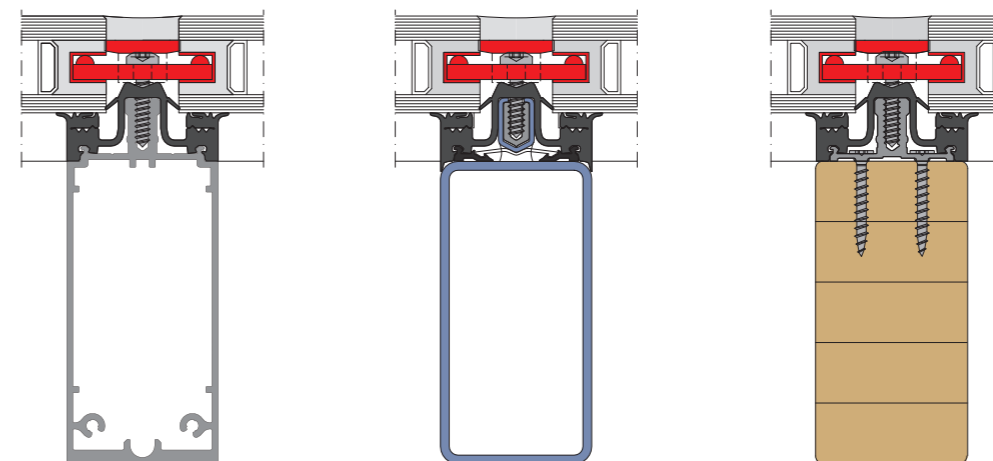
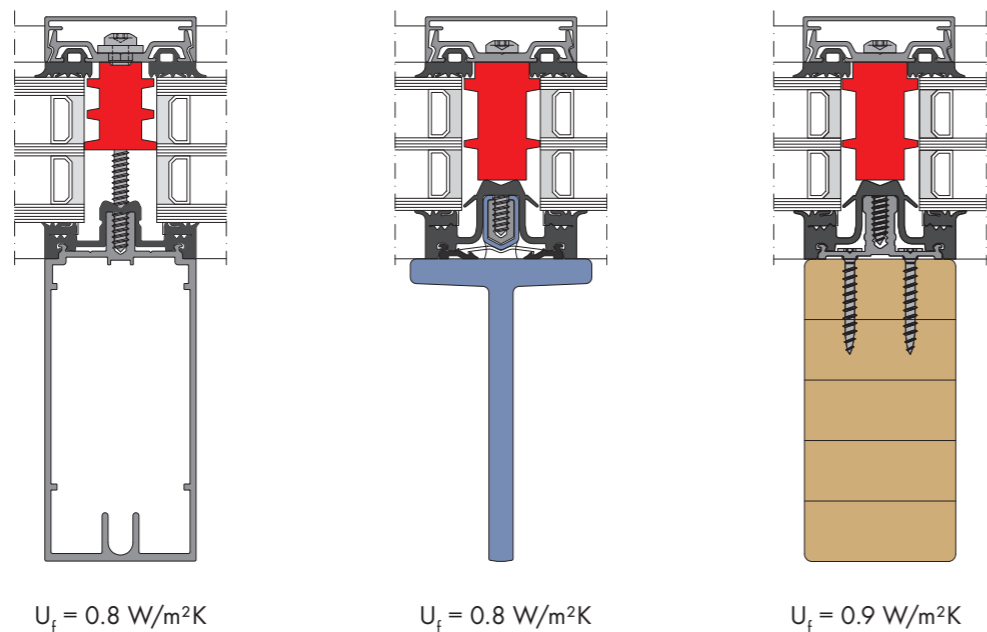
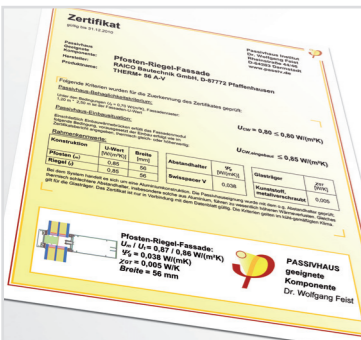
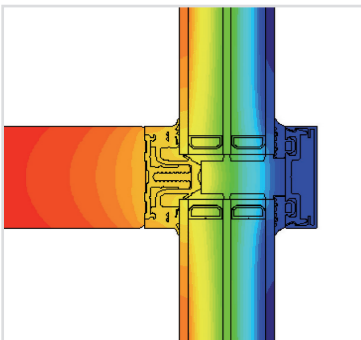
# PASSIVE HOUSE CURTAIN WALL

# STRUCTURAL GLAZING CURTAIN WALL



Simply by supplementing Insulation bloc P, a THERM<sup>+</sup> standard curtain wall becomes a passive house curtain wall. Additional cost and work is minimised, allowing for the fitment of energy generating glass façades to passive houses in a generous and economic way. The sophisticated insulation technology makes this quality possible from a system width of only 50 mm.

The THERM<sup>+</sup> Structural Glazing curtain walls offer the most slim-line glazing technique. Only a fine silicone joint remains between the double glazed sealed units. The fixation of the interior screen is realized in a simplified, efficient and reliable way by means of a special toggle. The sophisticated insulation design leads to outstanding thermal insulation values, which achieve even passive house quality.



- Possible with all THERM<sup>+</sup> series
- Certified by the European Passive House Institute
- Feasible from 50 mm system width
- Supplementation of the standard system with Insulation bloc P

### The special advantages

- The systems THERM<sup>+</sup> H-I and THERM<sup>+</sup> H-V are certified by the European Passive House Institute in Darmstadt
- All THERM<sup>+</sup> series achieve peak values in thermal insulation (see table)
- The execution is especially air-tight (blower-door testing)
- Certified with triple glazing of 44 mm infill thickness, argon gas filling and acrylic spacer
- Special accessories such as sealing films or connection panels provide an integral execution in passive house quality
- Application in curtain walls and in glass roofs
- Slim-line design due to peak values from a system width of 50 mm
- All pressure and cover profiles from the standard systems can be applied

### Thermal insulation values

	THERM <sup>+</sup> A-I	THERM <sup>+</sup> A-V	THERM <sup>+</sup> S-I	THERM <sup>+</sup> H-I	THERM <sup>+</sup> H-V
System width	50 and 56 mm	50 and 56 mm	50, 56 and 76 mm	50, 56 and 76 mm	50 and 56 mm
$U_f$ / 64 mm glass	0.95 W/m <sup>2</sup> K	0.8 W/m <sup>2</sup> K*	0.8 W/m <sup>2</sup> K*	0.9 W/m <sup>2</sup> K*	0.9 W/m <sup>2</sup> K*

\*certified by the European Passive House Institute as passive house component

### The special advantages

- Can be combined with any of our other system variations, with any pressure profiles and also with suction discs if preferred
- Efficient and safe glass fixation with special structural glazing toggles that engage in an aluminium profile in the edge of the glass spacer
- The Insulation bloc SG provides an exceptional thermal insulation ( $U_f = 1.4 \text{ W/m}^2\text{K}$  with 32 mm glazing,  $0.9 \text{ W/m}^2\text{K}$  with 44 mm glazing) and solid backing for the silicone joint
- Executable with all THERM<sup>+</sup> series in the system widths 50 and 56 mm
- For double or triple glazing, from 32 to 52 mm thickness
- Both vertical and glass roof application available



- Feasible with all THERM<sup>+</sup> series
- Very efficient thermal insulation
- System width 50 or 56 mm
- Combination possible with pressure profiles or suction discs