

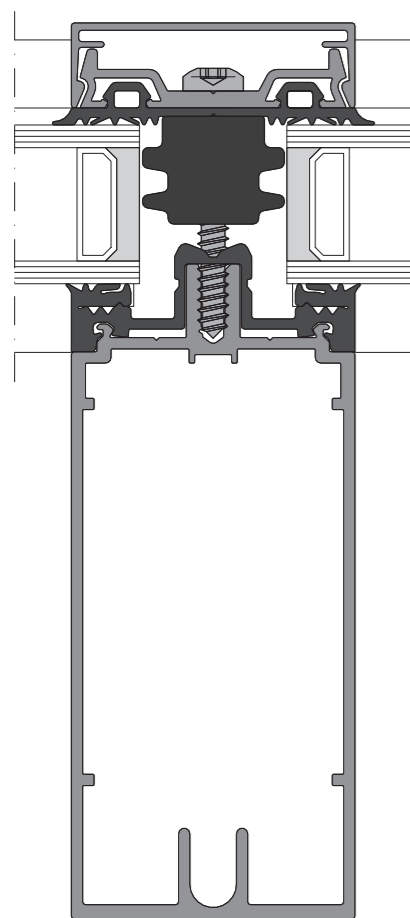
# THERM<sup>+</sup> CURTAIN WALL SYSTEM

One system technology - virtually endless options



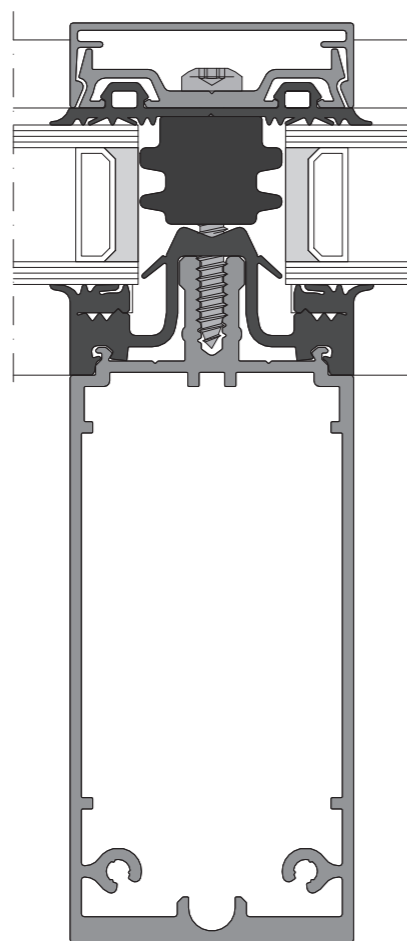
Based on its consistent modular design the THERM<sup>+</sup> curtain wall system provides you with nearly unlimited possible combinations of its various components. With this unique flexibility you will find the most suitable, safe, viable and economic solution for every individual project.

THERM<sup>+</sup> A-V



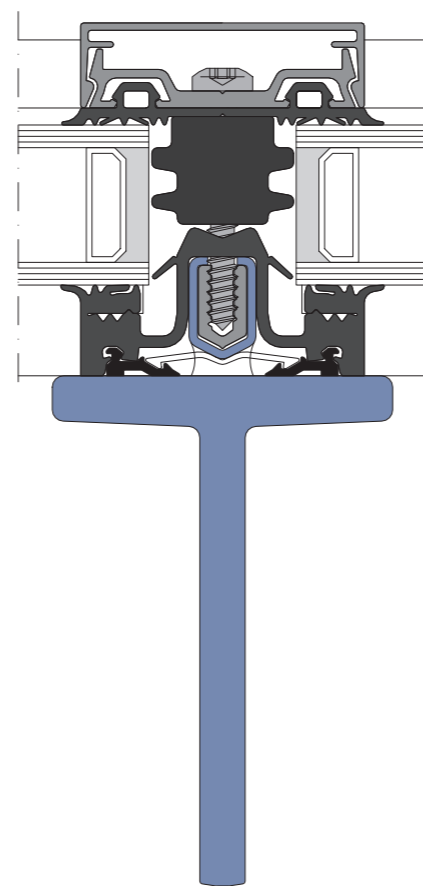
- Thermally insulated curtain wall
- Passive house (certified)
- Structural glazing
- Burglary resistance WK2
- Burglary resistance WK3

THERM<sup>+</sup> A-I



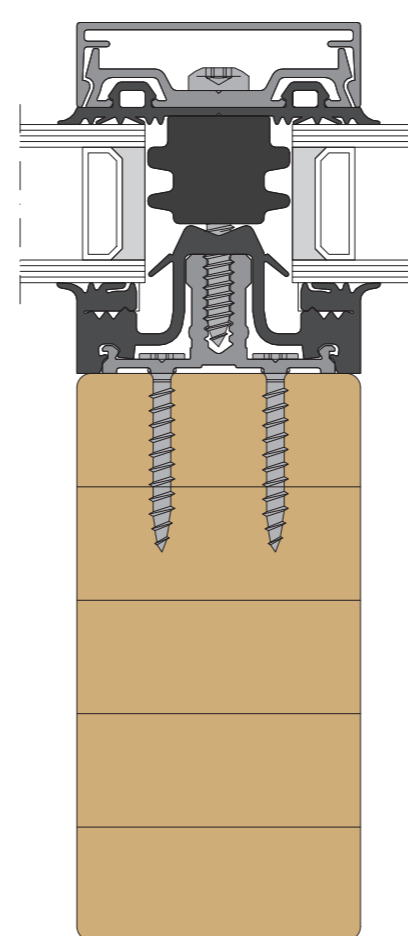
- Thermally insulated curtain wall
- Glass roof down to 2° inclination
- Passive house
- Structural glazing
- Fire resistance EI30
- Burglary WK2
- Burglary WK3

THERM<sup>+</sup> S-I



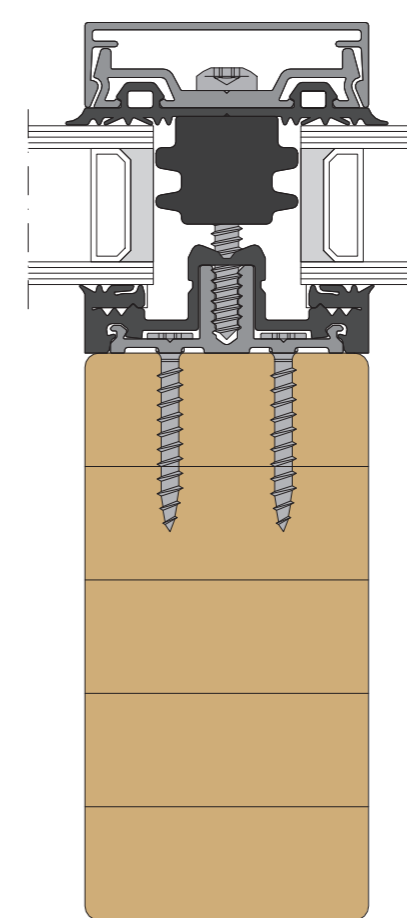
- Thermally insulated curtain wall
- Glass roof down to 2° inclination
- Passive house (certified)
- Structural glazing
- Fire resistance G30
- Burglary WK2
- Burglary WK3

THERM<sup>+</sup> H-I



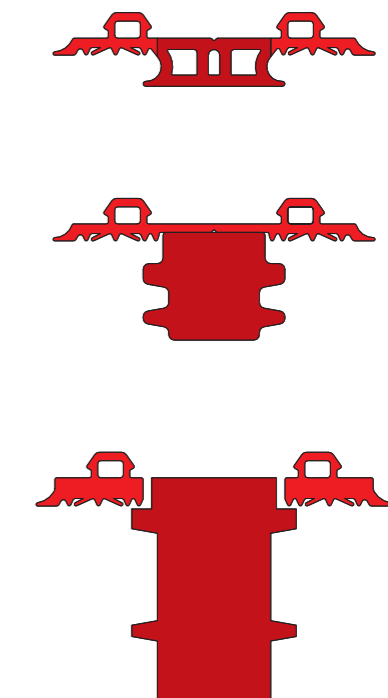
- Thermally insulated curtain wall
- Glass roof down to 2° inclination
- Passive house (certified)
- Structural glazing
- Fire resistance E30
- Fire resistance EI30
- Burglary WK2
- Burglary WK3

THERM<sup>+</sup> H-V



- Thermally insulated curtain wall
- Passive house (certified)
- Structural glazing
- Burglary WK2
- Burglary WK3

INSULATION BLOC



- Exterior gasket with integrated adaptable thermal insulation
- Reliable sealing and effective insulating in one component
- Height 9, 21 or 39 mm for step by step adaptation of the U<sub>f</sub> value
- Efficient energy conservation due to U<sub>f</sub> values down to 0.8 W/m<sup>2</sup>K
- Simple assembly with the pressure profile